

ASSEMBLY INSTRUCTIONS

ITEM CODE : IN 3447

ITEM DESCRIPTION : 2 DRAWER BEDSIDE



1

Reverse the bedside & place the leg as shown & align the leg to match the apron.



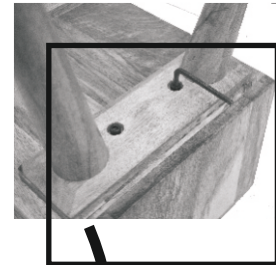
2

Insert the Bolt to fix the leg with the Bedside top and tighten the nut with the washer as shown in fig1



3

Fix the other leg in the similar way



Reverse the bedside straight. Now your bedside is ready for use

4

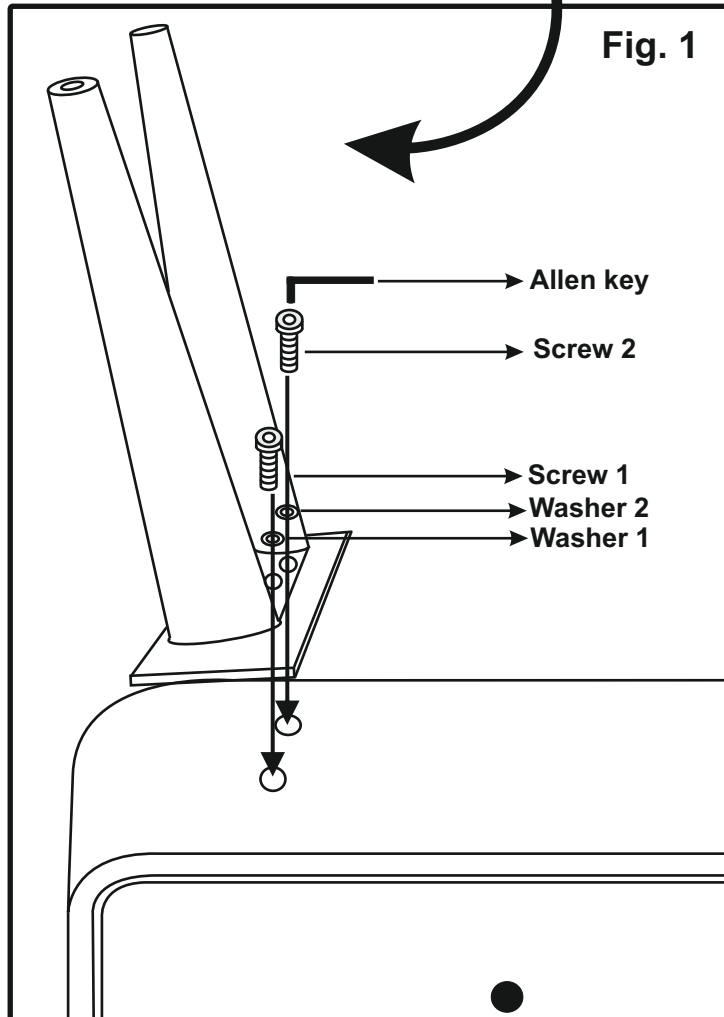


Fig. 1