

ASSEMBLY INSTRUCTIONS

ITEM CODE : IN261

ITEM DESCRIPTION : WINE CABINET



1

Reverse the cabinet top & place the leg as shown & align the leg to match the apron.



Twist the leg into the iron fitting slot by rotating it.

2



3

Fix the other legs in the similar way



4

Reverse the Cabinet straight. Now your Cabinet is ready for use

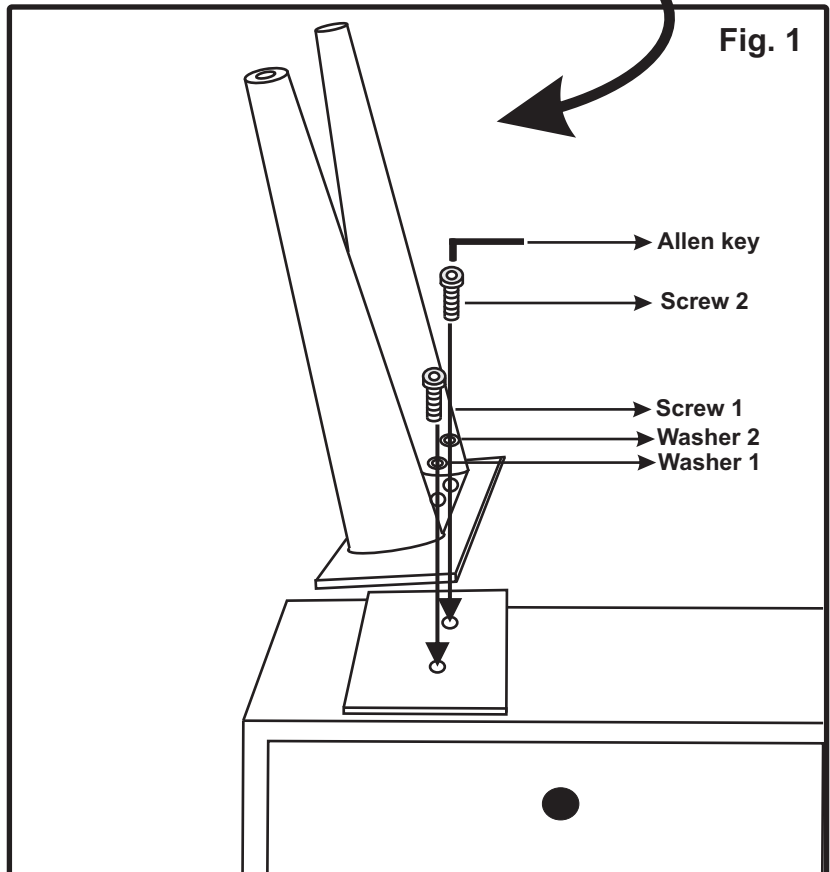


Fig. 1