

ASSEMBLY INSTRUCTIONS

ITEM CODE : IN123

ITEM DESCRIPTION : 1 DRAWER WRITING DESK



1

Reverse the Desk & place the leg as shown & align the leg to match the apron.



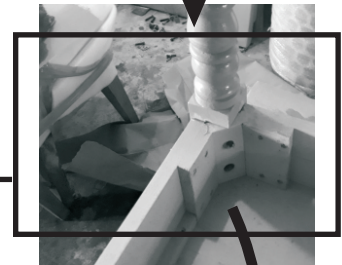
Insert the Bolt to fix the leg with the desk top and tighten the nut with the washer as shown in fig1

2



3

Fix the other legs in the similar way

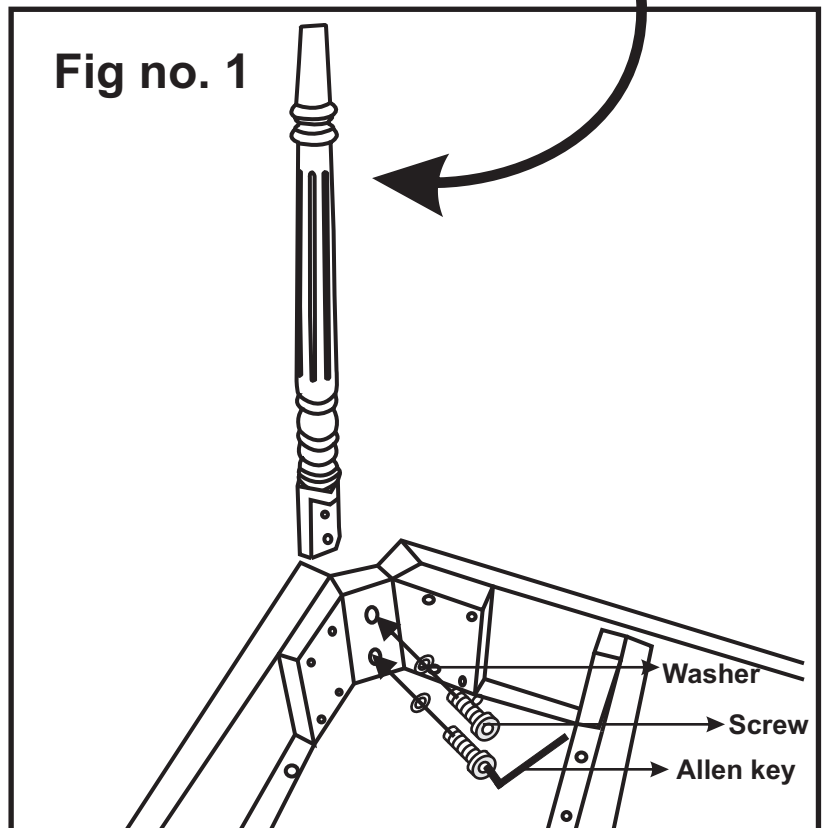


Reverse the writing straight. Now your writing desk is ready for use

4



Fig no. 1



Washer

Screw

Allen key